

## Infrared Proximity Sensors

**CS-PD535-TAQ** Square, Red/Green LED status indicator

**CS-PD535-TBQ** Square, Blue/Green LED status indicator

### Features:

- No-touch operation reduces the risk of spread of germs, viruses, etc., through cross-contamination
- Adjustable sensor range 2<sup>3</sup>/<sub>8</sub>"-8" (6~20 cm), 3A relay, adjustable trigger duration 0.5~30 seconds or toggle
- LED illuminated sensor area for easy identification
- Selectable LED colors turns from red to green or green to red (blue to green / green to blue for CS-PD535-TBQ) to show the sensor is activated

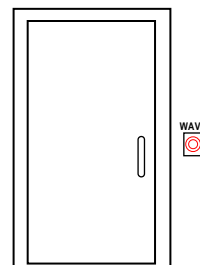


### Specifications:

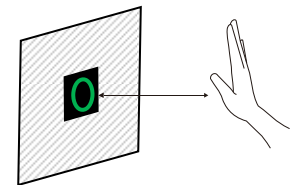
Model	CS-PD535-TAQ	CS-PD535-TBQ
Operating voltage	12~24 VDC	
Current draw (max.)	120mA@12VDC	
Relay type	Form C dry contact, NO/NC/COM, 3A@24VDC	
Connectors	Quick-connect, screwless terminal block	
Response time	10mS	
Output time	Adjustable, 0.5~30s, toggle, or as long as sensor is triggered	
Sensing range	Adjustable, 2 <sup>3</sup> / <sub>8</sub> "~8" (6~20cm)	
LED Status indicator	Red/green or green/red*	Blue/green or green/blue*
Operating life	Relay	500,000 cycles
	Sensor	100,000 hours
Case material	ABS Plastic	
Operating temperature	-4°~131° F (-20°~55° C)	
Dimensions	1 <sup>3</sup> / <sub>4</sub> "x2 <sup>1</sup> / <sub>8</sub> "x1 <sup>7</sup> / <sub>16</sub> " (44x55x37 mm)	

\*Reversible by jumper

### Sample Applications:

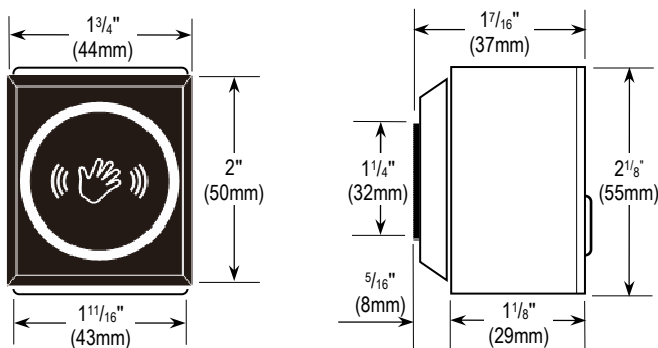


Access control



Replace mechanical switch (machinery, dispensers, medical devices, etc.)

### Overview:



### LED Indicators (Selectable):

(CS-PD535-TAQ shown)



Standby



Activated

## Superior Electronics Corporation

No.10, Lane 31, Chongde St., Sinyi District, Taipei City 110, Taiwan

Tel:886-2-2378-6161 • Fax:886-2-2378-6163

E-mail: [info@superior-elec.com](mailto:info@superior-elec.com) • Website: [www.enforcer.com.tw](http://www.enforcer.com.tw)



Copyright © 2020 Superior Electronics Corporation. All rights reserved.  
 All trademarks are the property of Superior Electronics Corporation or their respective owners.  
 Superior Electronics Corporation's policy is one of continual development. For that reason, we reserve the right to change prices and specifications without notice. Superior Electronics Corporation is not responsible for misprints.

**ENFORCER® SECO-LARM® CRIMEBUSTER® CBA® SLI®**

PI\_CS-PD535-TxQ\_SEC\_201015.docx