

## Outdoor Wave-to-Open Sensors

- SD-9163-KSQ** Slimline, English\*
- SD-9163-KSVQ** Slimline, English\*, Manual Override
- SD-9263-KSQ** Single-Gang, English\*
- SD-9263-KSVQ** Single-Gang, English\*, Manual Override
- SD-9363-KSQ** European Plate, English\*
- SD-9363-KSVQ** European Plate, English, Manual Override

### Features:

- Weatherproof (IP65) for outdoor use†
- Clean and simple no-touch operation reduces the risk of cross-contamination
- Adjustable sensor range up to 7" (18cm)
- Stainless steel plate, available in slimline or single-gang
- 1.2A relay, adjustable trigger duration 0.8~30 seconds
- Selectable LED colors (turns from red to green or green to red) to show if the sensor is activated

### SD-9163-KSVQ, SD-9263-KSVQ, and SD-9363-KSVQ only:

- Manual override button functions without electricity in case of power failure

### French and Spanish Faceplates:

- French screen printed with "SORTIE" and "SANS CONTACT"
- Spanish screen printed with "SALIDA" and "SIN TOCAR"

### Specifications:

Operating voltage		12~24 VDC
Power consumption	Standby	16mA@12VDC / 25mA@24VDC
	Triggered	20mA@12VDC / 32mA@24VDC
Relay type		Form C dry contact, 1.2A@24VDC
Response time		10mS
Output time		0.8~30s, toggle
Range		2"~7" (5~18cm)
IP Rating		IP65†
Operating temperature		-4°~131° F (-20°~55° C)
Dimensions	Slimline	1 1/2"x4 1/2"x1 1/2" (39x115x39 mm)
	Single-gang	2 3/4"x4 1/2"x1 1/2" (70x115x39 mm)
	Euro-plate	3 3/8"x3 3/8"x1 1/2" (86x86x39 mm)

\*Also available with Spanish or French faceplates

†When properly installed.

## Superior Electronics Corporation

No.10, Lane 31, Chongde St., Sinyi District, Taipei City 110, Taiwan

Tel:886-2-2378-6161 • Fax:886-2-2378-6163

E-mail: [info@superior-elec.com](mailto:info@superior-elec.com) • Website: [www.enforcer.com.tw](http://www.enforcer.com.tw)



SD-9163-KSQ



SD-9163-KSVQ



SD-9263-KSQ



SD-9263-KSVQ

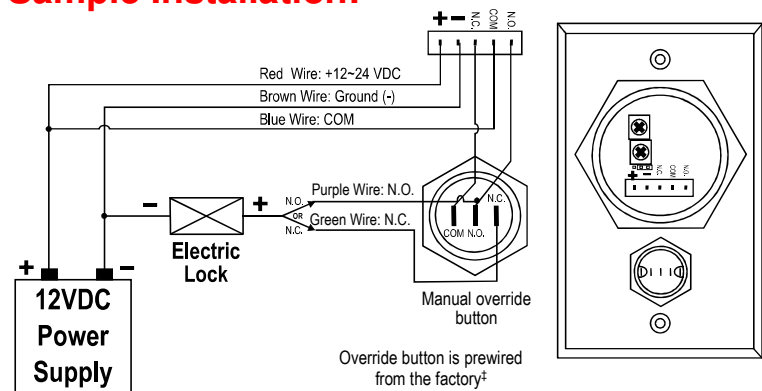


SD-9363-KSQ



SD-9363-KSVQ

### Sample Installation:



†SD-9163-KSVQ and SD 9263-KSVQ only

**Ordering Information:**

**Outdoor Wave-to-Open Sensors**

Language	English		Spanish		French	
Model	SD-9163-KSQ	SD-9263-KSQ	SD-9163-KS1Q	SD-9263-KS1Q	SD-9163-KS2Q	SD-9263-KS2Q
Photo						
Model	SD-9363-KSQ		SD-9363-KS1Q		SD-9363-KS2Q	
Photo						

**Outdoor Wave-to-Open Sensors with Override Button**

Language	English†			
Model	SD-9163-KSVQ	SD-9263-KSVQ	SD-9463-KSVQ	SD-9463-KSVQ
Photo				

†Spanish and French faceplates available by special order

**Outdoor Wave-to-Open Sensors – Other Models**

Model	SD-9963-KSGQ	SD-9773-KNEVQ
Type	Post-Mount	Surface-Mount
Photo		

**Other Models Also Available**  
**For our full line of OEM/private label infrared sensors, contact Superior Electronics**

**Superior Electronics Corporation**

No.10, Lane 31, Chongde St., Sinyi District, Taipei City 110, Taiwan

Tel:886-2-2378-6161 • Fax:886-2-2378-6163

E-mail: [info@superior-elec.com](mailto:info@superior-elec.com) • Website: [www.enforcer.com.tw](http://www.enforcer.com.tw)



Copyright © 2020 Superior Electronics Corporation. All rights reserved.

All trademarks are the property of Superior Electronics Corporation or their respective owners. Superior Electronics Corporation's policy is one of continual development. For that reason, we reserve the right to change prices and specifications without notice. Superior Electronics Corporation is not responsible for misprints.

**ENFORCER® SECO-LARM® CRIMEBUSTER® CBA® SLI®**

PI\_SD-9x63-KSxQ\_SEC\_201116.docx